

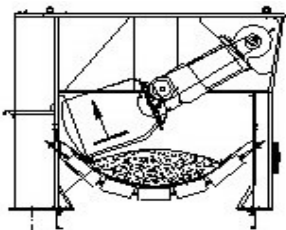
Safe, Accurate Sampling From Moving Conveyors



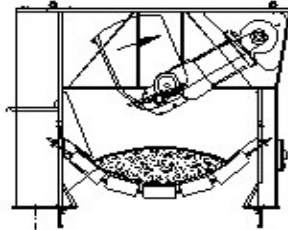
EXCLUSIVE FEATURES INCLUDE:

- Electric drive with cushion mounted v-belt drive or optional direct drive for simple, reliable operation
- Contour idlers that attach directly to the conveyor structure
- Controlled cutter rotation block discharge between cuts and prevents sample increment contamination
- Patented Skirting and Surge Dam™ limits upstream side load forces to cutter preventing sample contamination and spillage
- Manual or automatic controls available
- Visual verification platform and viewport facilitate performance checks
- Backed by full-time sales, engineering, and service
- Eliminate the need for manual “grab” samples and increase employee safety
- Save time and money by keeping your conveyor on the move
- Increase sample accuracy and reduce out-of spec product piles

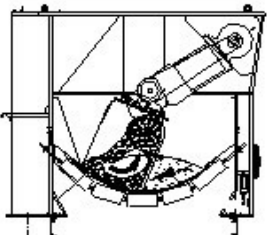
Clean Sweep® AutoSampler Primary Sampler Cut Cycle



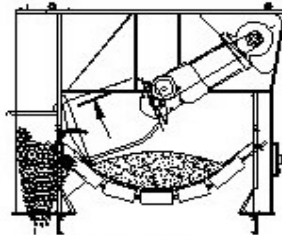
1. **Parked Position** - Cutter positioned approximately off edge of conveyor blocks sample discharge and prevents contamination



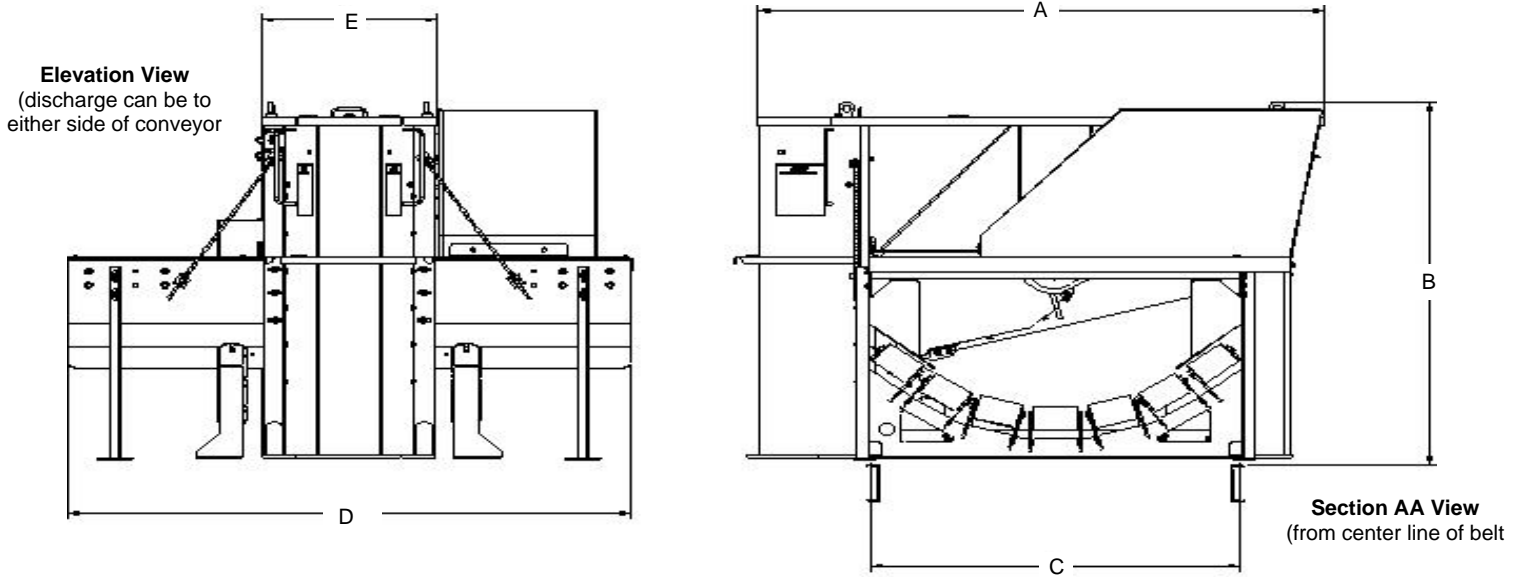
2. **Cut Cycle Begins** - Electric drive powers cutter rotation; spring mounted impact idlers eliminate sag



3. **Sample Increment Divided** - Scooping angle fully contains each increment in cutter; complete, visually verifiable removal



4. **Sample Increment Ejected** - Cutter stops at the original parking position



Belt Width:	24"	30"	36"	42"	48"	54"	60"	72"	96"
A. Overall Assembly Width (across belt)	52.5	56.8	75.8	84.8	90.8	96.8	106.8	118.9	142.6
B. Height Above Stringers	39.5	59.4	54.2	66.6	72.3	78.5	83.8	97.6	125.9
C. Mounting Bolt Spacing**	33	39	45	51	57	63	69	81	105
D. Length of Assembly	48	96	96	96	96	96	96	96	96
E. End Width	24	29.9	29.9	29.9	29.9	29.9	29.9	29.9	30.9
Standard Drive Horsepower	5	5	10	10	15	20	20	20	40
Gross (Shipping) Weight	1100	1500	1800	1800	2200	2200	2300	2500	6500

NOTES:

1. Contour idlers attach directly to the conveyor structure.
2. When belt transition from 20 degrees, 45 degree idlers or next narrower width belt is required. Alternate idler recommendation may be required.
- 3.* In cases where the belt may be loaded above typical CEMA capacities, next wider samplers with larger radii and higher capacities may be considered.
- 4.** 3 sets of mounting holes apply to samplers 36" and wider. These fit the following situations:
 - a) standard idler widths (BW+9")
 - b) wide based idler widths (BW+15")
 - c) next smaller belt width standard idlers (BW+3")
 - d) next smaller belt width wide based idlers (BW+9")
5. Most CLEAN SWEEP® primaries discharge through DiscoPipe tubes (12" diameter up to 36" belt widths; 16" diameter for 42" and wider belt width). Standard flanged adapters permitting tube angles to 15 degrees from vertical are recommended options.
6. JBLCo offers an established technical support program - contract or per diem rates plus expenses.
7. Dimensions suitable for layout purposes but are subject to change without notice. Estimated weights include skirting. Certified prints supplied upon receipt of order.