

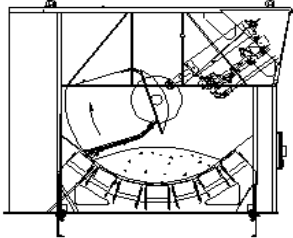
Safe, Accurate Sampling From Moving Conveyors



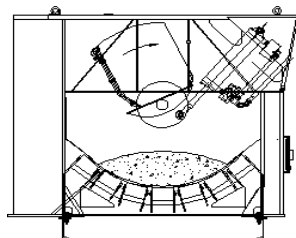
EXCLUSIVE FEATURES INCLUDE:

- Pneumatic drive delivers the most power & speed of any sweep sampler made
- 360 degree cutter rotation - full zero start to full zero stop - in 0.5 to 0.6 seconds; no adverse side loading effects
- Patented indexed cutter rotation precisely blocks discharge between cuts and prevents contamination
- Patented trapezoid cutter available for highest capacity conveyors
- Patented Skirting and Surge Dam™ limits upstream side load forces to cutter and ensures contamination free increments
- Patented Contour Idlers™ ensure complete sample increment removal by momentarily conforming the conveyor to precisely match the arc of the rotating cutter
- Backed by full-time sales, engineering, and service
- Eliminate the need for manual “grab” samples and increase employee safety
- Save time and money by keeping your conveyor on the move
- Increase sample accuracy and reduce out-of spec product piles
- Stocked parts in-house

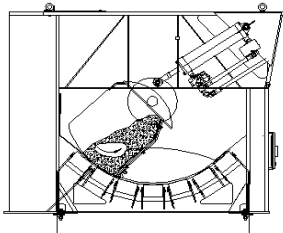
Clean Sweep® Series IV Pneumatic Sampler Cut Cycle



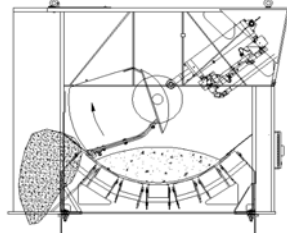
1. **Parked Position** - Cutter positioned approximately off edge of conveyor blocks sample discharge and prevents contamination



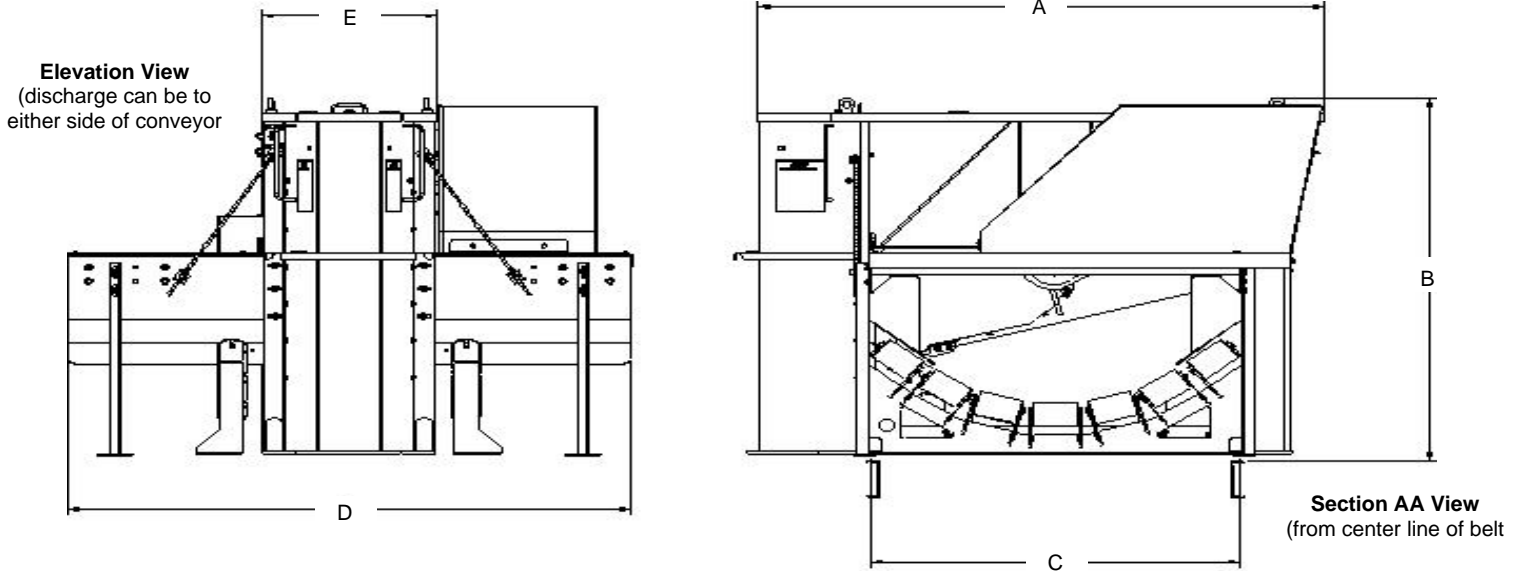
2. **Cut Cycle Begins** - Contour idlers attached directly to conveyor structure



3. **Sample Increment Divided** - Scooping angle fully contains each increment in cutter; complete, visually verifiable removal



4. **Sample Increment Ejected** - Precise, cushioned cutter stop at edge of the conveyor



Belt Width:	30"	36"	42"	48"	54"	60"	72"	84"	96"
A. Overall Assembly Width (across belt)	60.3	75.7	84.8	91.0	96.8	102.9	114.9	127	138.9
B. Height Above Stringers	51.7	52.7	62.4	68.1	73.9	80.4	93.6	108.4	120.0
C. Mounting Bolt Spacing**	39	45	51	57	63	69	81	93	105
D. Length of Assembly	96	96	96	96	96	96	96	96	96
E. End Width	29.9	29.9	29.9	29.9	29.9	29.9	29.9	41.5	41.5
Gross (Shipping) Weight	1500	2200	2700	2800	2900	3300	3600	4000	4400

NOTES:

- Contour idlers attach directly to the conveyor structure.
- When belt transition from 20 degrees, 45 degree idlers or next narrower width belt is required. Alternate idler recommendation may be required.
- * In cases where the belt may be loaded above typical CEMA capacities, next wider samplers with larger radii and higher capacities may be considered.
- ** 3 sets of mounting holes apply to samplers 36" and wider. These fit the following situations:
 - standard idler widths (BW+9")
 - wide based idler widths (BW+15")
 - next smaller belt width standard idlers (BW+3")
 - next smaller belt width wide based idlers (BW+9")
- Most CLEAN SWEEP® pneumatic primaries discharge through DiscoPipe tubes (12" diameter up to 36" belt widths; 16" diameter for 42" and wider belt width). Standard flanged adapters permitting tube angles to 15 degrees from vertical are recommended options.
- JBLCo offers an established technical support program - contract or per diem rates plus expenses.
- Dimensions suitable for layout purposes but are subject to change without notice. Estimated weights include skirting. Certified prints supplied upon receipt of order.